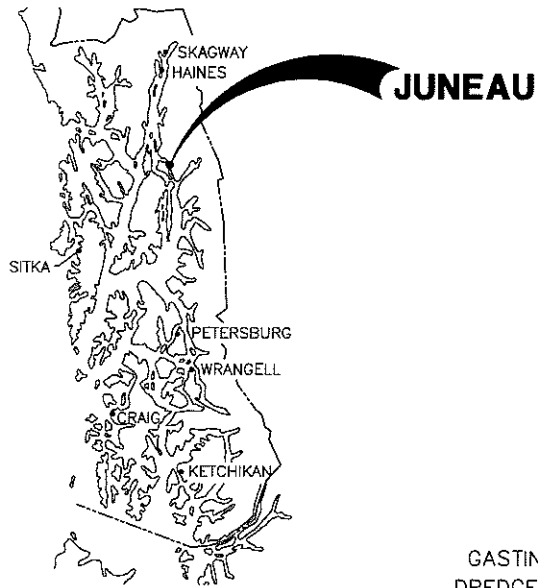




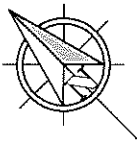
**LOCATION MAP**



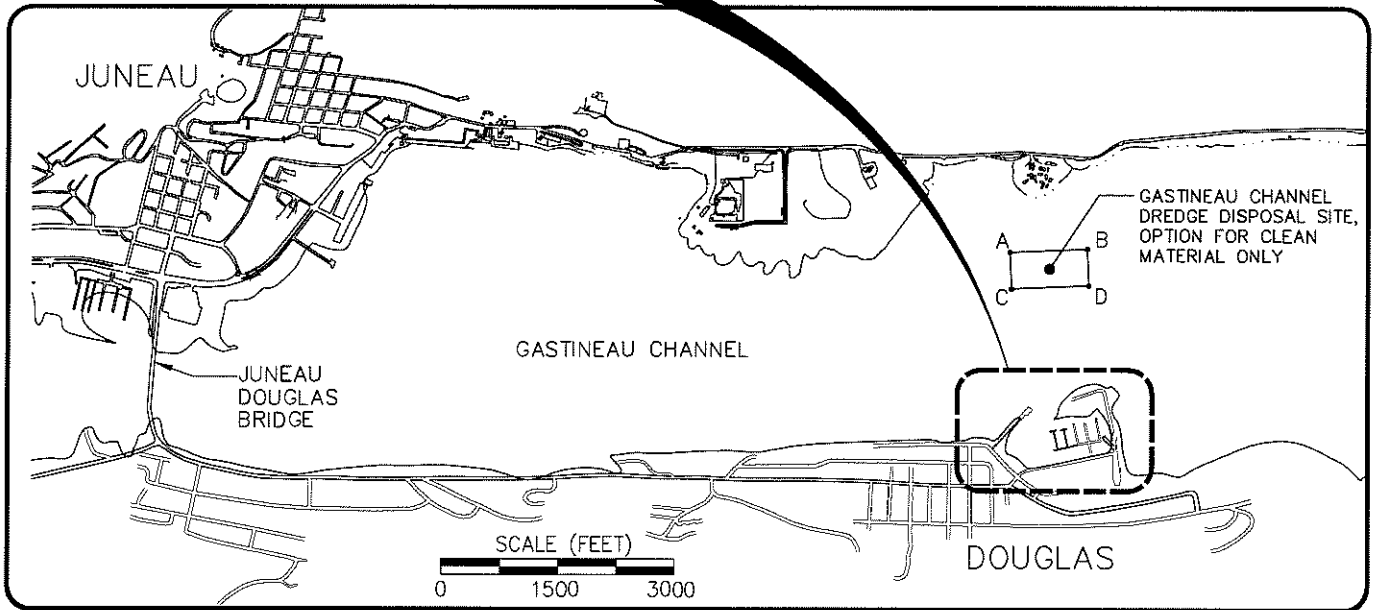
**SOUTHEAST ALASKA**

**GASTINEAU CHANNEL  
DREDGE DISPOSAL SITE  
CORNER POINTS**

- A: 58°16'45"N  
134°22'54"W
- B: 58°16'41"N  
134°22'46"W
- C: 58°16'42"N  
134°22'58"W
- D: 58°16'38"N  
134°22'50"W



**PROJECT SITE**



**VICINITY MAP**

**PURPOSE:**

TO RENOVATE AN EXISTING HARBOR IN ORDER TO INCREASE MOORAGE CAPACITY AND IMPROVE PUBLIC SAFETY.

**DATUM:**

MLLW = 0.0 FT

HTL = 20.8'  
MHW = 15.4'  
MLLW = 0.0'

**LOCATION AND VICINITY  
MAP**

APPLICANT ADDRESS:  
CITY AND BOROUGH OF JUNEAU  
155 S. SEWARD STREET  
JUNEAU, AK 99801

PND#: 062065.01

**OLD DOUGLAS  
HARBOR REPLACEMENT**

IN: GASTINEAU CHANNEL  
NEAR: JUNEAU  
AT: DOUGLAS HARBOR

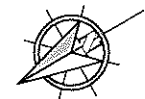
APPLICATION BY: CITY AND BOROUGH OF JUNEAU

DATE: 06/14/07

SHEET 1 OF 9

**TIDAL INFORMATION**

EXTREME HIGH WATER (EHW) 23.2'  
 HIGH TIDE LINE (HTL) 20.8'  
 MEAN HIGH WATER (MHW) 18.4'  
 MEAN LOWER LOW WATER (MLLW) 0.0'  
 ESTIMATED EXTREME LOW WATER -5.0'



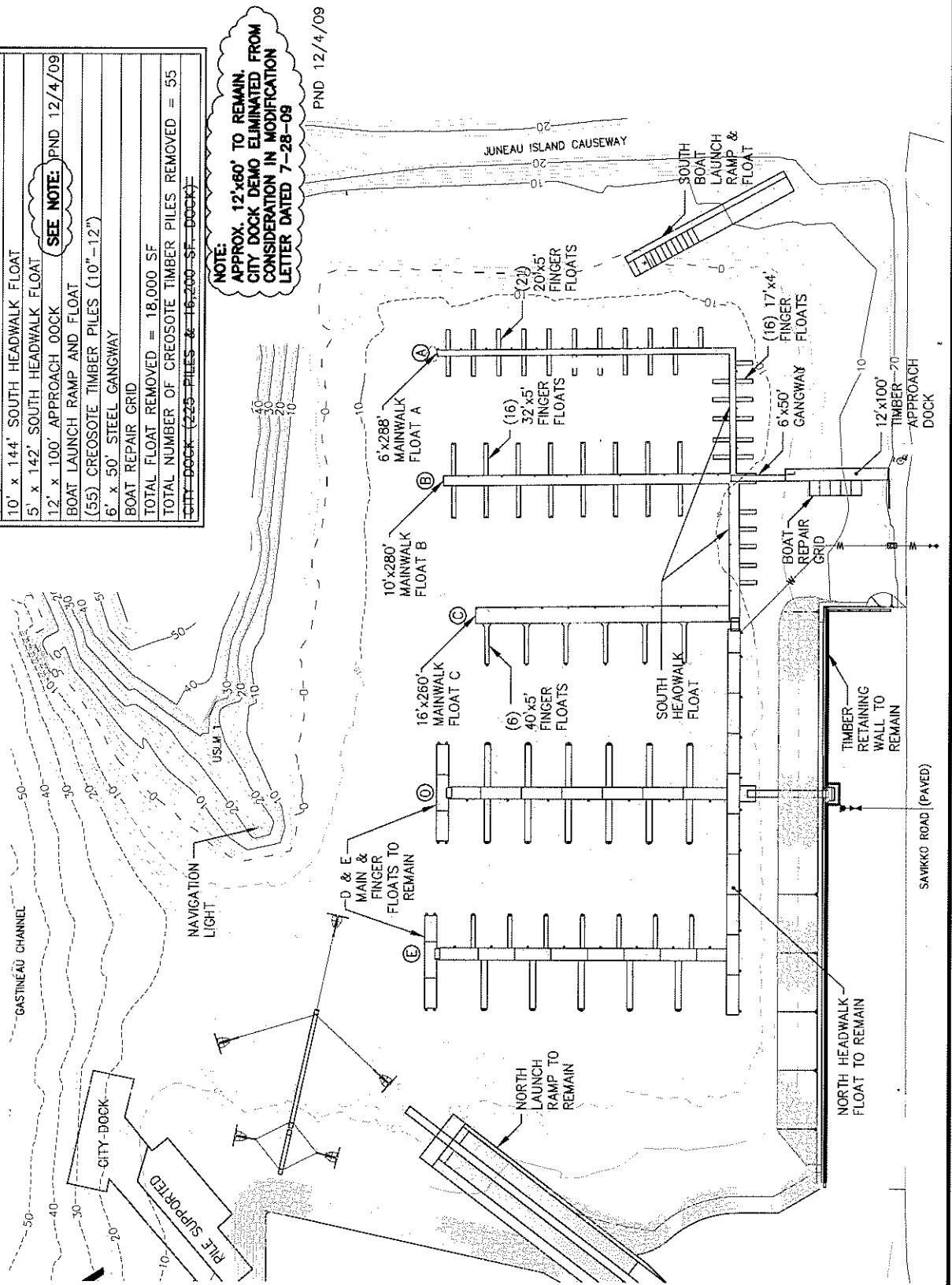
**DEMOLITION SUMMARY**

6' x 288' MAINWALK FLOAT A
10' x 280' MAINWALK FLOAT B
16' x 260' MAINWALK FLOAT C
(6) 40' x 5' FINGER FLOATS
(16) 32' x 5' FINGER FLOATS
(21) 20' x 5' FINGER FLOATS
(16) 17' x 4' FINGER FLOATS
10' x 144' SOUTH HEADWALK FLOAT
5' x 142' SOUTH HEADWALK FLOAT
12' x 100' APPROACH DOCK
BOAT LAUNCH RAMP AND FLOAT
(55) CREOSOTE TIMBER PILES (10"-12")
6' x 50' STEEL GANGWAY
BOAT REPAIR GRID
TOTAL FLOAT REMOVED = 18,000 SF
TOTAL NUMBER OF CREOSOTE TIMBER PILES REMOVED = 55
<del>CITY DOCK (225 PILES &amp; 16,200 SF DOCK)</del>

SEE NOTE: PND 12/4/09

**NOTE:**  
 APPROX. 12'x60' TO REMAIN.  
 CITY DOCK DEMO ELIMINATED FROM  
 CONSIDERATION IN MODIFICATION  
 LETTER DATED 7-28-08

PND 12/4/09

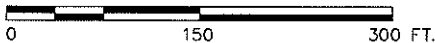


**PURPOSE:**

TO RENOVATE AN EXISTING HARBOR IN ORDER TO INCREASE MOORAGE CAPACITY AND IMPROVE PUBLIC SAFETY.

**EXISTING CONDITIONS AND DEMOLITION PLAN**

SCALE IN FEET



APPLICANT ADDRESS:  
 CITY AND BOROUGH OF JUNEAU  
 155 S. SEWARD STREET  
 JUNEAU, AK 99801

PND#: 062065.01

**OLD DOUGLAS HARBOR REPLACEMENT**

IN: GASTINEAU CHANNEL  
 NEAR: JUNEAU  
 AT: DOUGLAS HARBOR  
 APPLICATION BY: CITY AND BOROUGH OF JUNEAU  
 DATE: 06/14/07

**DATUM:**

MLLW = 0.0 FT

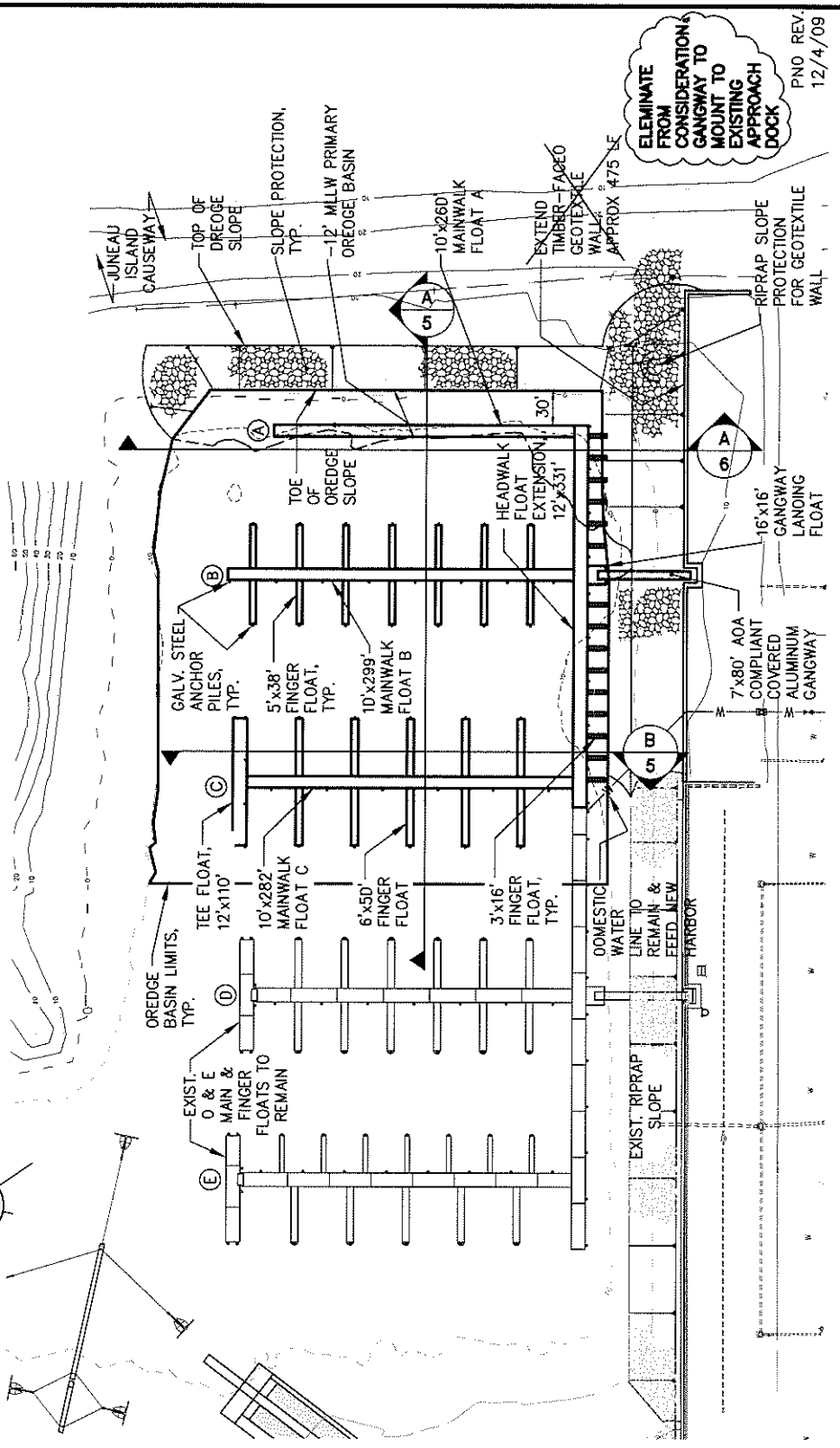
HTL = 20.8'  
 MHW = 15.4'  
 MLLW = 0.0'

**QUANTITIES SUMMARY TABLE**

10' X 282' MAINWALK C
(10) 6' X 50' FINGER FLOATS
10' X 299' MAINWALK FLOAT B
(14) 5' X 38' FINGER FLOAT
10' X 260' MAINWALK FLOAT A
16' X 16' GANGWAY LANDING FLOAT
12' X 331' HEADWALK FLOAT
<del>10' X 331' HEADWALK FLOAT</del>
<del>TIMBER-FACED GEOTEXTILE WALL APPROX 475 LF</del>
7' X 80' ADA COMPLIANT COVERED ALUMINUM GANGWAY
12' X 110' TEE FLOAT
(61) GALVANIZED STEEL PIPE PILES

PNO REV.  
12/4/09

NOTE: SEE SHEET 5 FOR EXCAVATION AND FILL QUANTITIES ASSOCIATED WITH OREGGING AND REMAINING WALL CONSTRUCTION ACTIVITIES

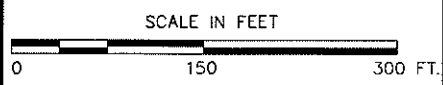


PNO REV.  
12/4/09

**PURPOSE:**

TO RENOVATE AN EXISTING HARBOR IN ORDER TO INCREASE MOORAGE CAPACITY AND IMPROVE PUBLIC SAFETY.

**SITE PLAN OF PROPOSED IMPROVEMENTS**



APPLICANT ADDRESS:  
CITY AND BOROUGH OF JUNEAU  
155 S. SEWARD STREET  
JUNEAU, AK 99801

**OLD DOUGLAS HARBOR REPLACEMENT**

IN: GASTINEAU CHANNEL  
NEAR: JUNEAU  
AT: DOUGLAS HARBOR

APPLICATION BY: CITY AND BOROUGH OF JUNEAU

DATE: 06/14/07

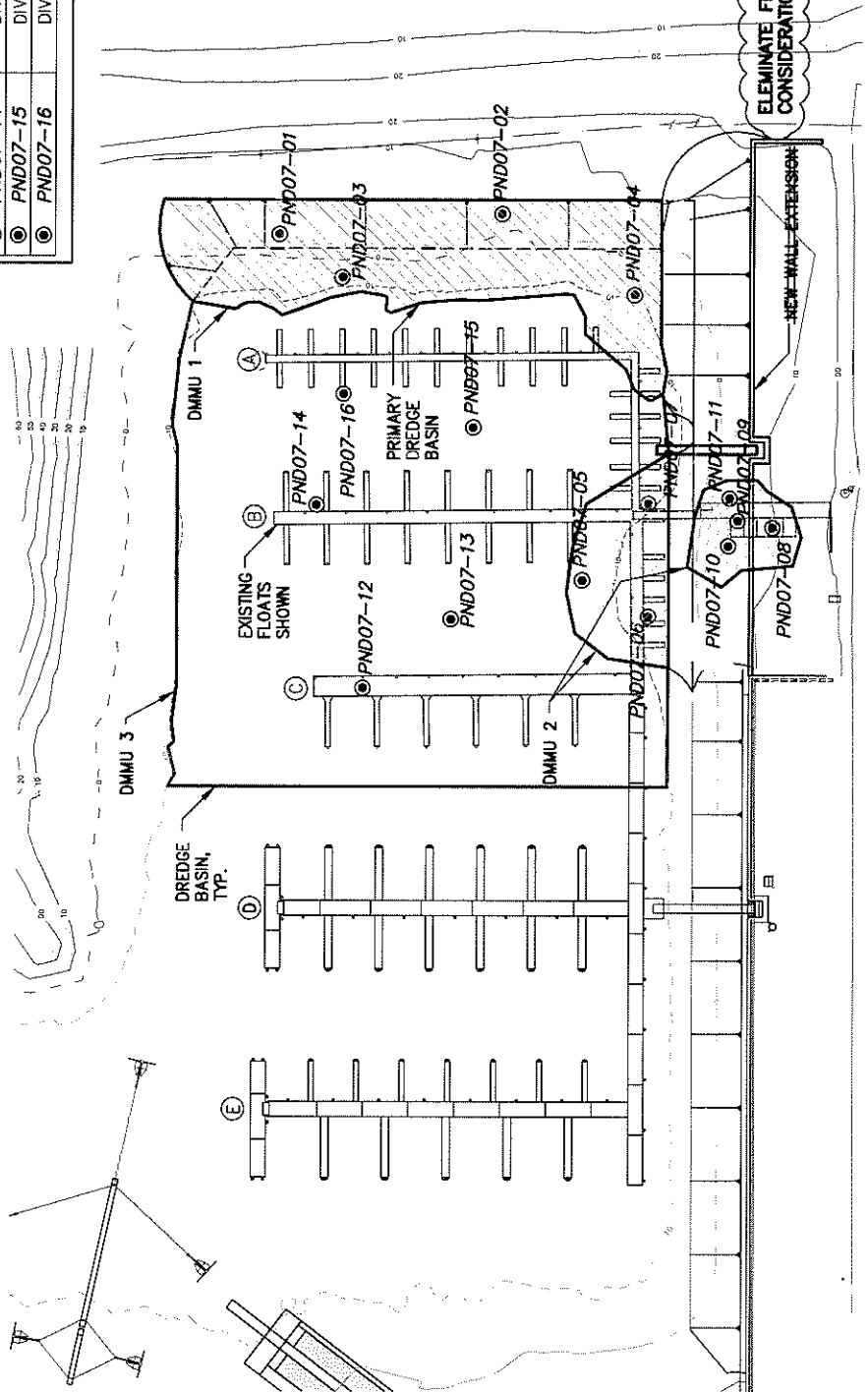
SHEET 3 OF 9

DATUM:  
MLLW = 0.0 FT

HTL = 20.8'  
MHW = 15.4'  
MLLW = 0.0'

PND#: 062065.01

SAMPLE TABLE	
SAMPLE NO.	METHOD
● PND07-01	DRILL
● PND07-02	DRILL
● PND07-03	DIVER
● PND07-04	DIVER
● PND07-05	DIVER
● PND07-06	DIVER
● PND07-07	DIVER
● PND07-08	HAND SAMPLER
● PND07-09	HAND SAMPLER
● PND07-10	HAND SAMPLER
● PND07-11	HAND SAMPLER
● PND07-12	HAND SAMPLER
● PND07-13	DIVER
● PND07-14	DIVER
● PND07-15	DIVER
● PND07-16	DIVER



**PURPOSE:**

TO RENOVATE AN EXISTING HARBOR IN ORDER TO INCREASE MOORAGE CAPACITY AND IMPROVE PUBLIC SAFETY.

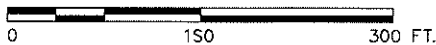
**DATUM:**

MLLW = D.O FT

HTL = 20.8'  
MHW = 15.4'  
MLLW = D.O'

**SOIL SAMPLING  
LOCATION PLAN**

SCALE IN FEET



APPLICANT ADDRESS:  
CITY AND BOROUGH OF JUNEAU  
155 S. SEWARD STREET  
JUNEAU, AK 99801

PND#: 06205S.01

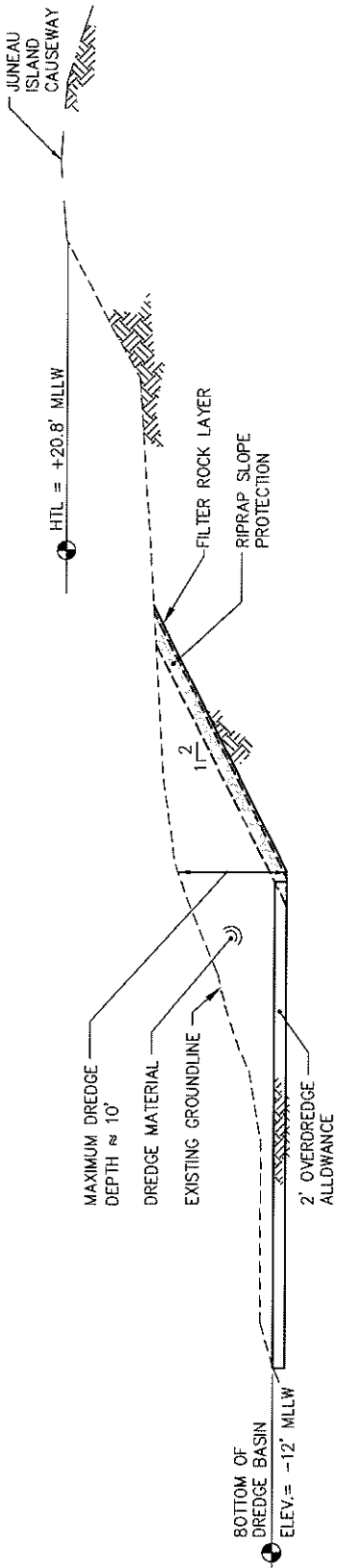
**OLD DOUGLAS  
HARBOR REPLACEMENT**

IN: GASTINEAU CHANNEL  
NEAR: JUNEAU  
AT: DOUGLAS HARBOR

APPLICATION BY: CITY AND BOROUGH OF JUNEAU

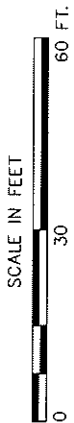
DATE: 06/14/07

SHEET 4 OF 9



**TYPICAL DREDGE SECTION**

A  
3



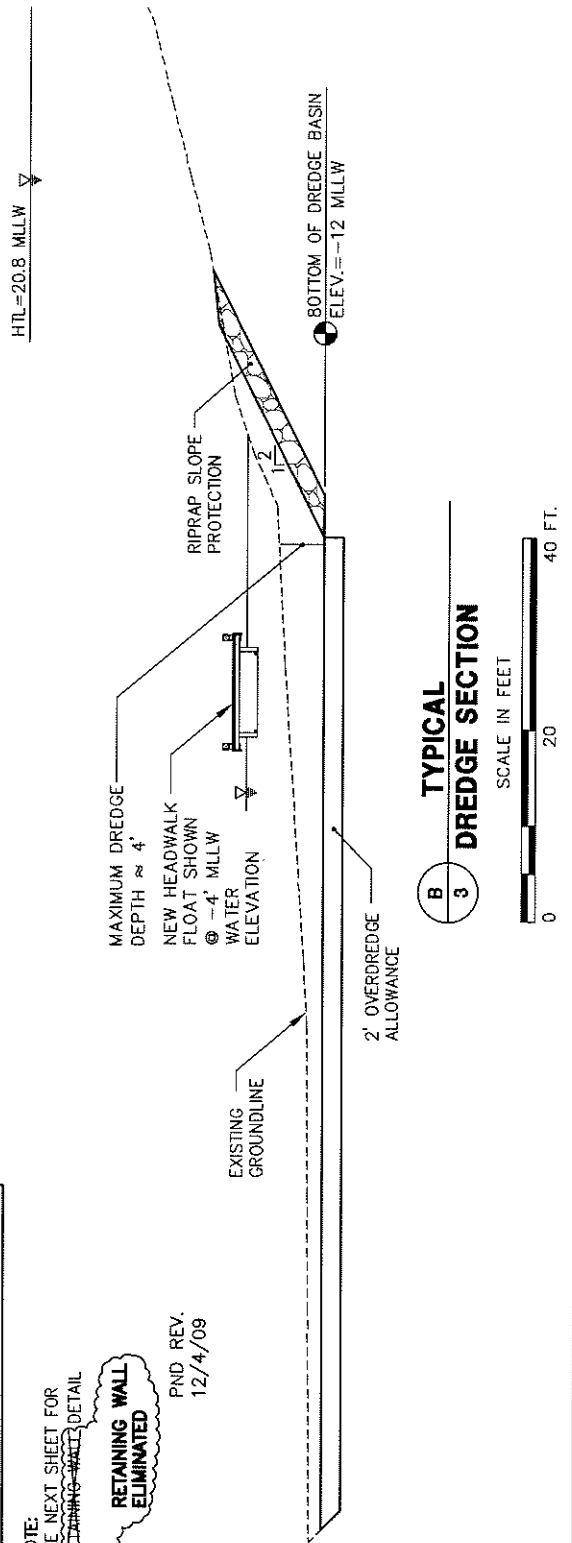
**SUMMARY OF APPROXIMATE DREDGE AND FILL QUANTITIES BELOW H.T.L.**

EXCAVATION:			
DREDGING	32,500	CI	
TOTAL	32,500	CI	
FILL:			
PRIMARY DREDGE BASIN:			
RIPRAP	1,600	CY	
FILTER ROCK	400	CY	
TOTAL (RIPRAP & FILTER)	2,000	CY	

REDUCED TO 30,000 CY IN MODIFICATION LETTER DATED 7-28-09

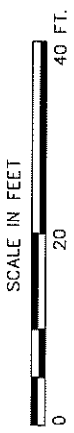
PND REV. 12/4/09

NOTE: SEE NEXT SHEET FOR RETAINING WALL DETAIL  
RETAINING WALL ELIMINATED  
PND REV. 12/4/09



**TYPICAL DREDGE SECTION**

B  
3



**PURPOSE:**

TO RENOVATE AN EXISTING HARBOR IN ORDER TO INCREASE MOORAGE CAPACITY AND IMPROVE PUBLIC SAFETY.

**DATUM:**

MLLW = 0.0 FT

HTL = 20.8'  
MHW = 15.4'  
MLLW = 0.0'

**TYPICAL DREDGE SECTIONS WITH FILL AND DREDGE QUANTITY SUMMARY**

APPLICANT ADDRESS:  
CITY AND BOROUGH OF JUNEAU  
155 S. SEWARD STREET  
JUNEAU, AK 99801

PND#: 062065.01

**OLD DOUGLAS HARBOR REPLACEMENT**

IN: GASTINEAU CHANNEL  
NEAR: JUNEAU  
AT: DOUGLAS HARBOR

APPLICATION BY: CITY AND BOROUGH OF JUNEAU

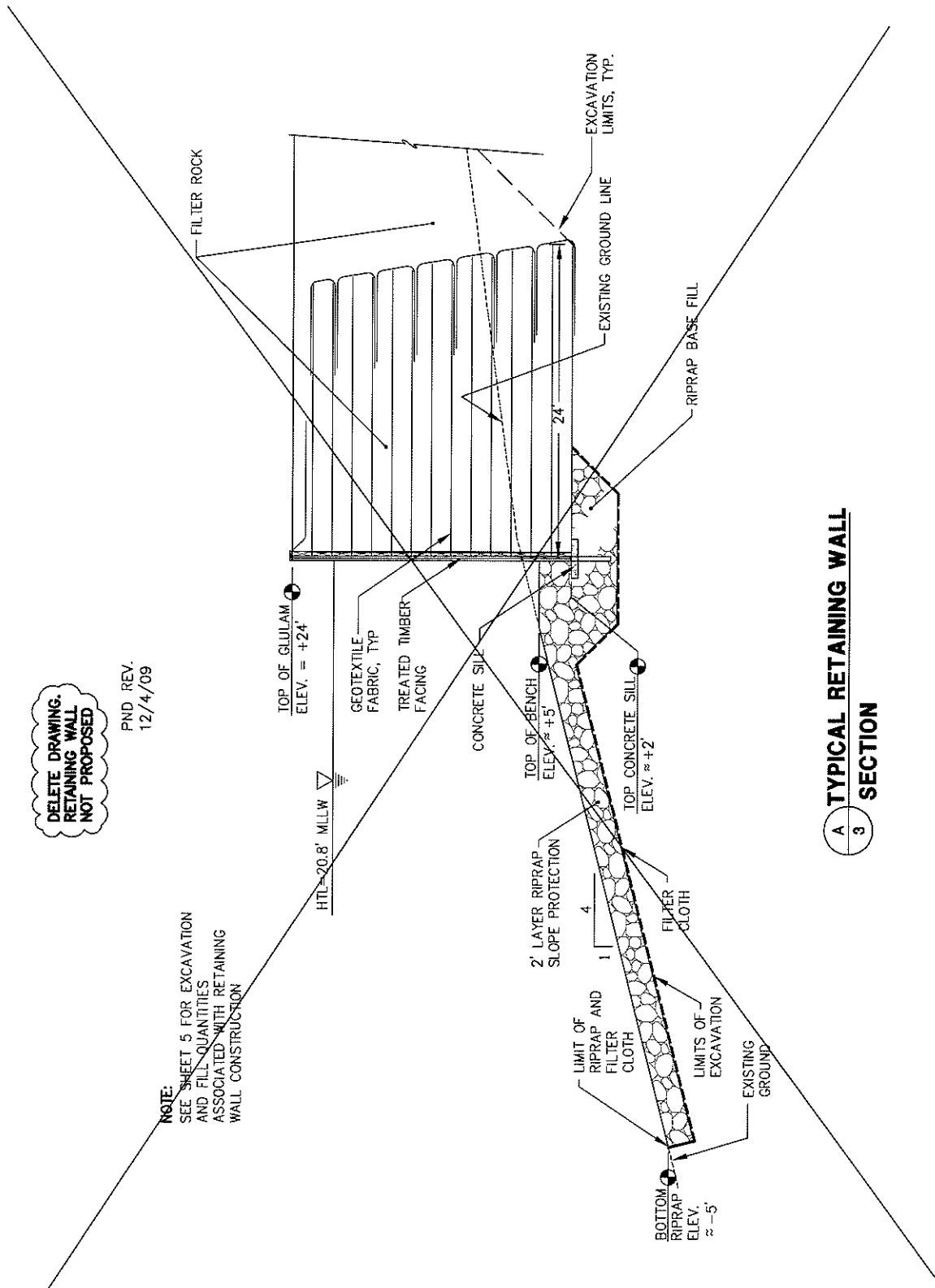
DATE: 06/14/07

SHEET 5 OF 9

DELETE DRAWING.  
RETAINING WALL  
NOT PROPOSED

PND REV.  
12/4/09

NOTE:  
SEE SHEET 5 FOR EXCAVATION  
AND FILL QUANTITIES  
ASSOCIATED WITH RETAINING  
WALL CONSTRUCTION



A  
3  
TYPICAL RETAINING WALL  
SECTION

**PURPOSE:**  
TO RENOVATE AN EXISTING HARBOR IN ORDER TO INCREASE MOORAGE CAPACITY AND IMPROVE PUBLIC SAFETY.

**DATUM:**  
MLLW = 0.0 FT

HTL = 20.8'  
MHW = 15.4'  
MLLW = 0.0'

**TYPICAL RETAINING WALL SECTION**

**APPLICANT ADDRESS:**  
CITY AND BOROUGH OF JUNEAU  
155 S. SEWARD STREET  
JUNEAU, AK 99801

PND#: 062065.01

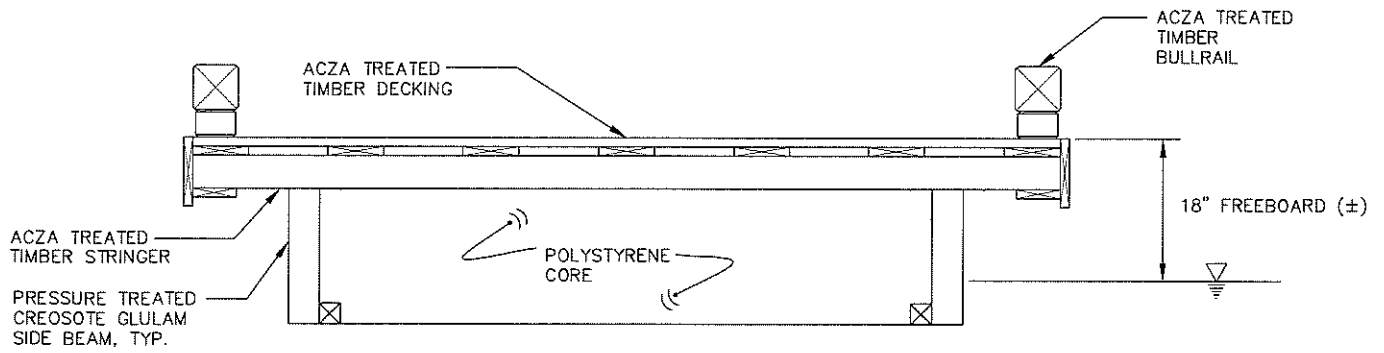
**OLD DOUGLAS HARBOR REPLACEMENT**

IN: GASTINEAU CHANNEL  
NEAR: JUNEAU  
AT: DOUGLAS HARBOR

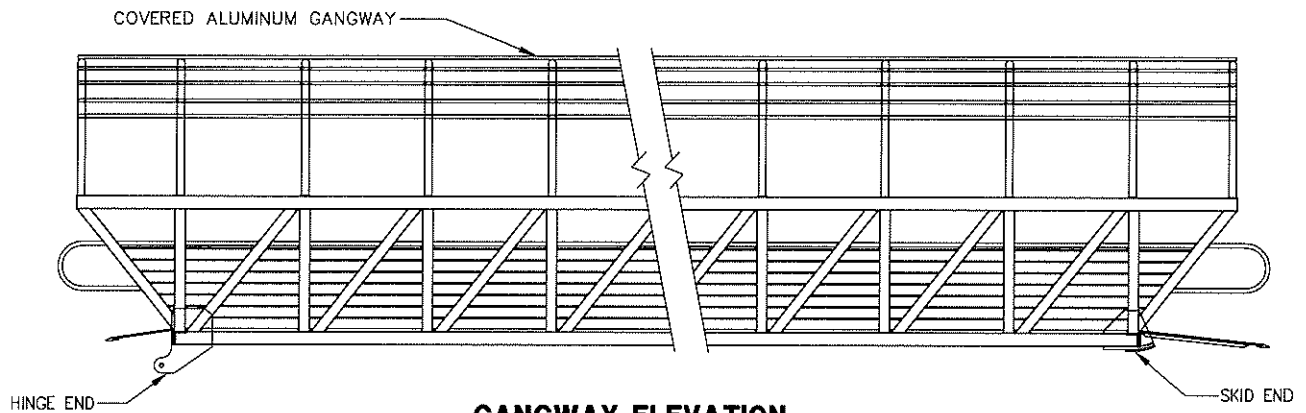
APPLICATION BY: CITY AND BOROUGH OF JUNEAU

DATE: 06/14/07

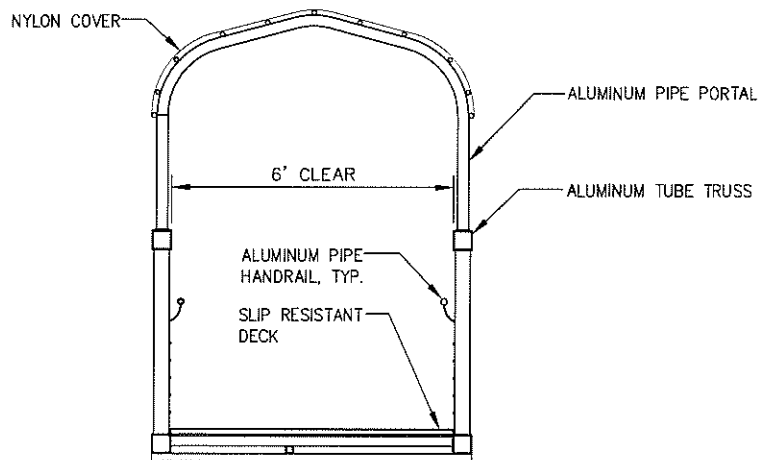
SHEET 6 OF 9



**NEW FLOAT TYPICAL SECTION**



**GANGWAY ELEVATION**



**GANGWAY TYPICAL SECTION**

**PURPOSE:**

TO RENOVATE AN EXISTING HARBOR IN ORDER TO INCREASE MOORAGE CAPACITY AND IMPROVE PUBLIC SAFETY.

**DATUM:**

MLLW = 0.0 FT

HTL = 20.8'  
MHW = 15.4'  
MLLW = 0.0'

**FLOAT AND GANGWAY DETAILS**

APPLICANT ADDRESS:  
CITY AND BOROUGH OF JUNEAU  
155 S. SEWARD STREET  
JUNEAU, AK 99801

PND#: 062065.01

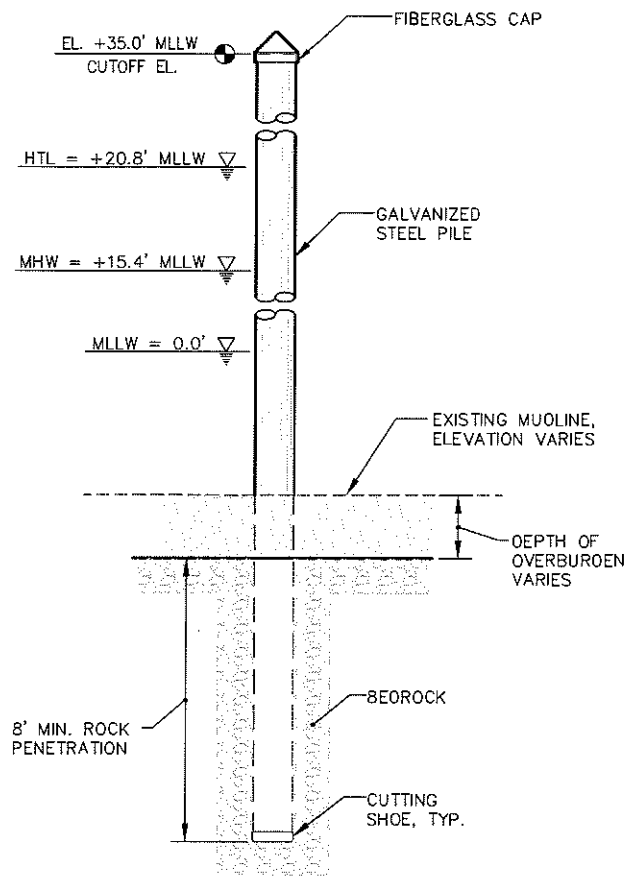
**OLD DOUGLAS HARBOR REPLACEMENT**

IN: GASTINEAU CHANNEL  
NEAR: JUNEAU  
AT: DOUGLAS HARBOR

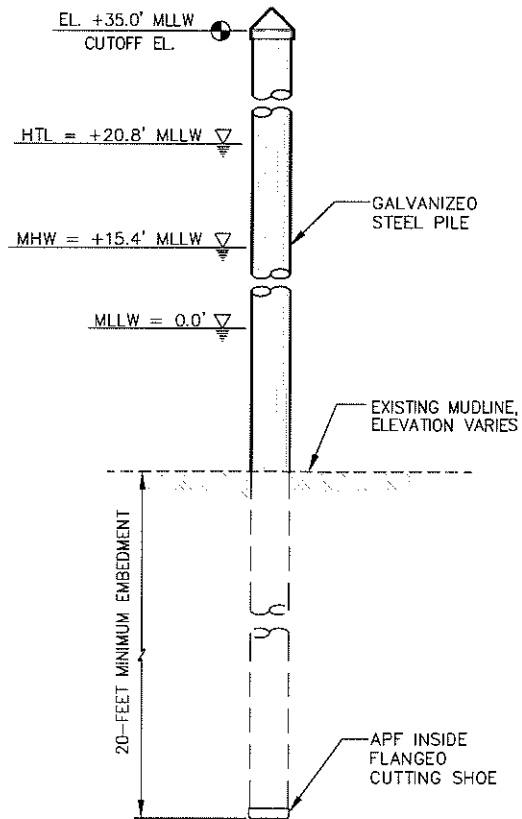
APPLICATION BY: CITY AND BOROUGH OF JUNEAU

DATE: 06/14/07

SHEET 7 OF 9



**SOCKET**



**NON-SOCKET**

**NOTES:**

1. SOCKETING IS ANTICIPATED AT APPROXIMATELY 15 LOCATIONS ON C FLOAT, SEE SHEET 3.
2. DRILL SOCKET, CLEAN OUT HOLE, DRIVE PILE TO BOTTOM OF SOCKET.

**PURPOSE:**

TO RENOVATE AN EXISTING HARBOR IN ORDER TO INCREASE MOORAGE CAPACITY AND IMPROVE PUBLIC SAFETY.

**DATUM:**

MLLW = 0.0 FT

HTL = 20.8'  
MHW = 15.4'  
MLLW = 0.0'

**PILE DETAILS**

APPLICANT ADDRESS:  
CITY AND BOROUGH OF JUNEAU  
155 S. SEWARD STREET  
JUNEAU, AK 99801

PND#: 062065.01

**OLD DOUGLAS HARBOR REPLACEMENT**

IN: GASTINEAU CHANNEL  
NEAR: JUNEAU  
AT: DOUGLAS HARBOR

APPLICATION BY: CITY AND BOROUGH OF JUNEAU

DATE: 06/14/07

SHEET 8 OF 9



PROPERTY OWNERS				
NO.	CURRENT OWNER	STREET AND HOUSE NO.	PARCEL	LEGAL DESCRIPTION
1	MKENNETH AND CHERIE RUDOLPH	0 FRONT STREET	20040T320140	DOUGLAS BL 32 L 23 FR
2	WILLIAM AND JANET LEAGUE	0 FRONT STREET	20040T32150	ATS 14 BL 32 L 24A 14 BL 32 L 22A
3	KENNETH AND CHERIE RUDOLPH	0 FRONT STREET	20040T32161	ATS 14 & BL 32 L 24
4	CBJ	802 FRONT STREET	20040T32171	DOUGLAS BL 32 L 19A
5	WILLIAM AND JANET LEAGUE	824 FRONT STREET	20040T320091	AS 14 & BL 32 DOUGLAS TR A
6	DALE HENKINS	820 FRONT STREET	20040T320101	ATS 14 & BL 32 L 19A
7	DALE HENKINS	820 FRONT STREET	20040T320102	ATS 14 & BL 32 L 20
8	JAMES MCCORMICK	816 FRONT STREET	20040T320111	ATS 14 & BL 32 L 20
9	RICHARD AND BARBARA BOEHL	814 FRONT STREET	20040T320121	ATS 14 & BL 32 L 21
10	WILLIAM AND JANET LEAGUE	808 FRONT STREET	20040T320130	DOUGLAS BL 32 L 22 & 23 FR
11	US DEPT OF INTERIOR	100 SAVIKKO ROAD	20040T320040	JUNEAU ISLAND
12	CBJ	120 SAVIKKO ROAD	20040T320050	DOUGLAS BOAT HARBOR
13	CBJ	105 SAVIKKO ROAD	20040T320050	ATS 14
14	STATE OF ALASKA	0 SAVIKKO ROAD	20040T320071	ATS 1493
15	CBJ	0 DOCK STREET	20040T320140	DOUGLAS 32 L 16A
16	CBJ	0 DOCK STREET	20040T320061	ATS 14

**PURPOSE:**

TO RENOVATE AN EXISTING HARBOR IN ORDER TO INCREASE MOORAGE CAPACITY AND IMPROVE PUBLIC SAFETY.

**DATUM:**

MLLW = D.O FT

HTL = 20.8'  
MHW = 15.4'  
MLLW = 0.0'

**PROPERTY OWNERS**

**APPLICANT ADDRESS:**

CITY AND BOROUGH OF JUNEAU  
155 S. SEWARD STREET  
JUNEAU, AK 99801

PND#: 062065.01

**OLD DOUGLAS HARBOR REPLACEMENT**

IN: GASTINEAU CHANNEL

NEAR: JUNEAU

AT: DOUGLAS HARBOR

APPLICATION BY: CITY AND BOROUGH OF JUNEAU

DATE: 06/14/07

SHEET 9 OF 9